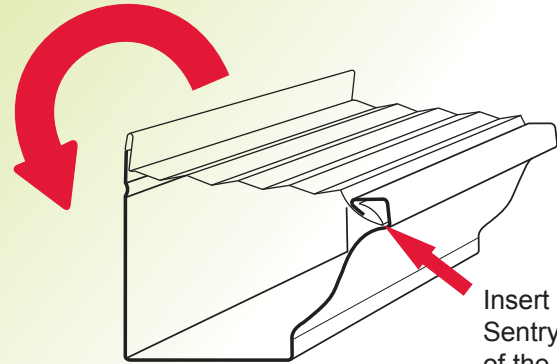


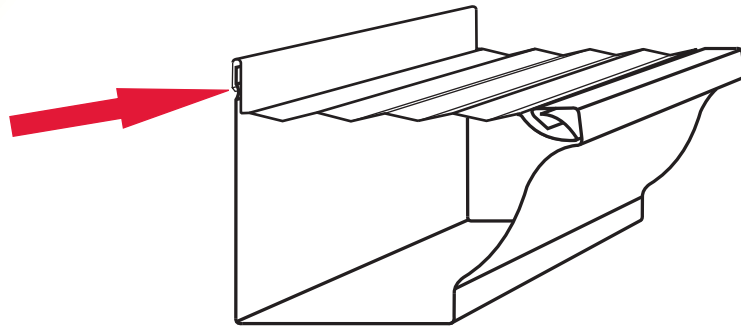
Installation Instructions

Insert the back of the Gutter Sentry on top of the back of the eavestrough and

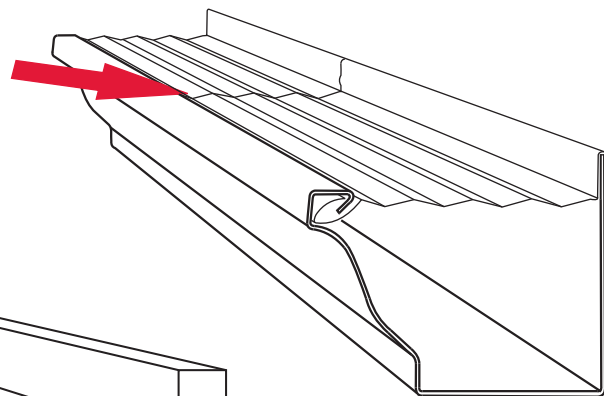


Insert the front of the Gutter Sentry cover under the front of the eavestrough.

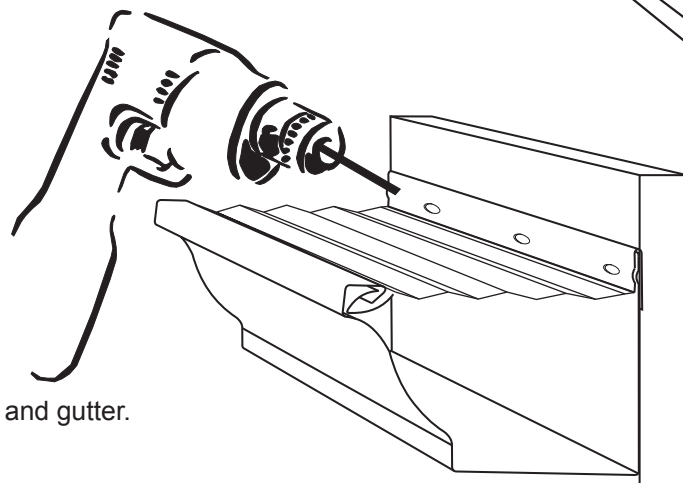
Note that the Gutter Sentry directly snaps over the back of the gutter; no crimping is required to maintain it in place.



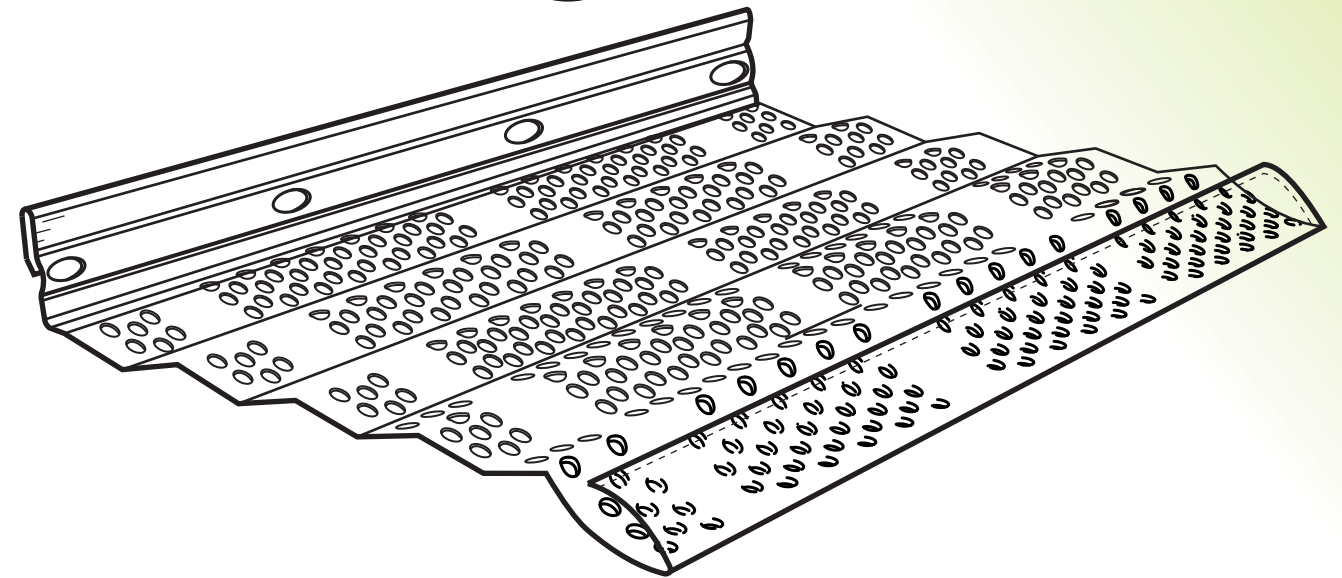
All the panels of the Gutter Sentry cover overlap and connect perfectly.



Screw the Gutter Sentry and gutter.



GUTTER SENTRY



www.gutter-sentry.com

THE ULTIMATE GUTTER HANGER AND COVER IN ONE

proudly distributed by

KAYCAN

www.kaycan.com

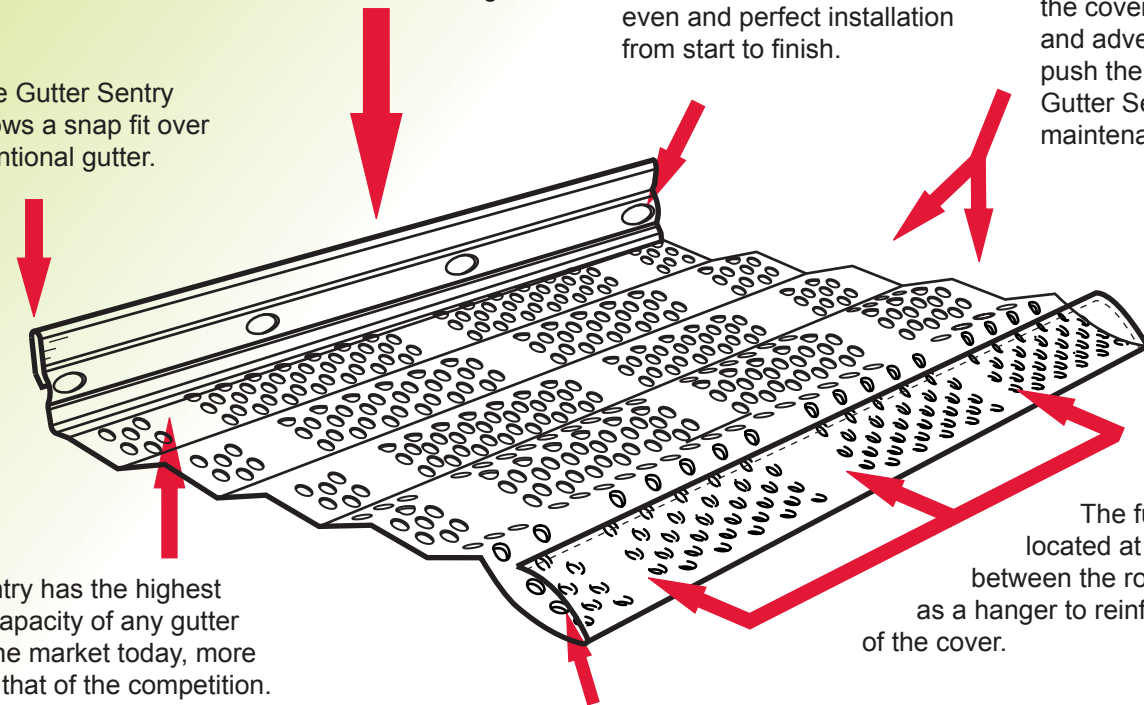
GUTTER SENTRY FEATURES

Gutter Sentry is made from heavier gauge aluminum; there is no substitute for strength.

The mounting holes are spaced at 2.5 inches intervals, allowing for an even and perfect installation from start to finish.

The angular surfaces allow for large debris to sit higher on the surface of the cover, to allow wind and adverse weather to push the debris from the Gutter Sentry to minimize maintenance needs.

The unique Gutter Sentry design allows a snap fit over any conventional gutter.



Gutter Sentry has the highest drainage capacity of any gutter cover on the market today, more than twice that of the competition.

The unique and patented "football" design allows Gutter Sentry to fit over any lip easily and efficiently. The drainage holes within the "football" allow for continued drainage.

The full plated spacing, located at every 5 inches between the rows of holes act as a hanger to reinforce the strength of the cover.

Comparing GUTTER SENTRY

The presence of clogged eavestroughs around your home is worse than having no eavestroughs at all. Use **Gutter Sentry** to eliminate a wide array of problems.

Protect the value of your home by installing **Gutter Sentry**.



Eavestroughs damaged by ice. The patented design of **Gutter Sentry** helps prevent freezing rain and ice from accumulating in your eavestroughs, thus reducing the weight applied on the gutters. When water freezes, it expands and since limited ice can enter your eavestrough you won't have to worry about sagging or malformed gutters again. The **Gutter Sentry** will keep your eavestrough in perfect working condition, year after year.



Rotting Fascia and Soffits. With clogged eavestroughs, water overflows and seeps between the eavestrough and the fascia board. This causes the fascia boards to rot and may even spread rot to your soffits.



Damaged Landscaping. Clogged and overflowing eavestrough can accelerate soil erosion and therefore damage the plants, flowers and trees around your house.



Frozen sidewalks and driveway. During cold weather, overflowing eavestroughs may leave a layer of ice on your sidewalks and driveway, a situation that may result in unfortunate accidents.

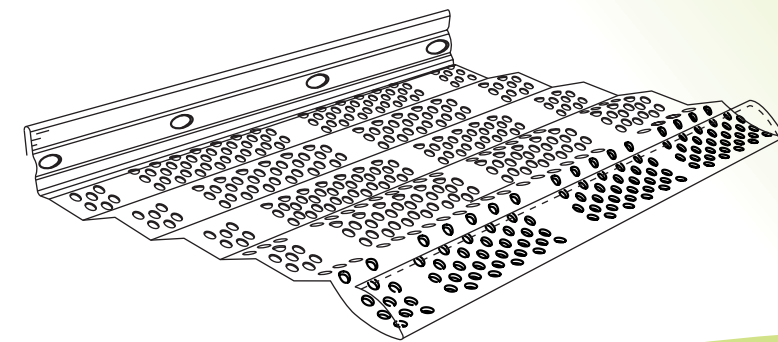


West Nile Virus. Mosquitoes carrying the West Nile virus breed in stagnant and dirty water. The **Gutter Sentry** cover also prevents the formation of nests of wasps.



Foundations damaged by water and ice. Water from poorly maintained eavestroughs will not drain properly and will collect near your home's foundation. Upon freezing, this water might cause damages to your foundation and possibly lead to flooding incidents.

The unique patented design of **Gutter Sentry** turns your average gutter into a complete box design, providing unequalled strength against bending, twisting and crushing. The **Gutter Sentry** allows the eavestroughs to remain firmly in place in extreme weather conditions, without sagging because of snow and ice formation. The structure is strong enough to support the weight of a ladder pressed upon it, without crushing or deforming.



The **Gutter Sentry** perforation system, with its twenty $\frac{1}{8}$ in. holes per square inch, provides unequalled drainage capacity, up to more than 4 times the heaviest precipitations known worldwide. Essentially, this means that even the presence of debris on the **Gutter Sentry** will never hinder the drainage capacity of your eavestroughs.